

Cila Go

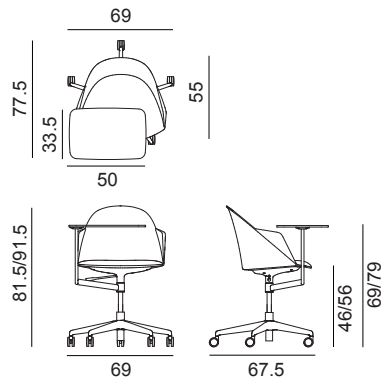
Design by Lievore Altherr, 2019

Art. 2315

Armchair on a 5 way reinforced nylon fibre swivel base (black or white) mounted on self-braking castors (in the same colour as the base) and complete with writing tablet 50x33.5 cm in HPL with top and rotating arm in the same colour as the base. Polypropylene shell available in five colours, with seat cushion in leather, coated fabric, fabric or customer's own material.



Dimensions *



* File CAD 2D - 3D available for download at www.arper.com

Frame Base



Shell

Polypropylene



arper

www.arper.com

info@arper.com

Cila Go

Design by Lievore Altherr, 2019

SHIPMENT DETAILS

Art.2315

1 pz = 3  - kg 18,78/ m³ 0,331

4 pz = 9  - kg 69,11/ m³ 0,751

TECHNICAL SPECIFICATIONS

Art.2315

COL requirement m² 0,756

H 140 cm. COM Meterage m 0,41

RESISTANCE TEST

- TUV GS (EN16139)

FIRE RETARDANT TEST

ENVIRONMENTAL CERTIFICATIONS



arper

www.arper.com
info@arper.com

www.arper.com